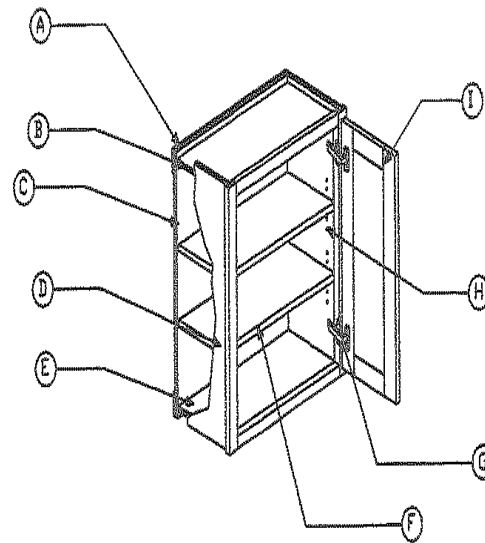


DELUXE GRADE STD. FACE FRAME BASE

- A - 1/2" NAILER-PLYWOOD
- B - UNDERMOUNT SOFT CLOSE DRAWER SLIDES
- C - 1/2" BACK - PLYWOOD
- D - 1/2" PLYWOOD END PANELS/ 3/4" ON FINISHED ENDS
- E - 1/2" PLYWOOD BOTTOM
- F - 5/8" SOLID WOOD TOEKICK MATCHING EXTERIOR
- G - 3/4" ADJUSTABLE SHELF/ PLYWOOD BANDED ALL EDGES
- H - SALICE CONCEALED 120 DEGREE HINGES
- I - 5MM DRILLING 32MM SPACING SHELF HOLES
- J - FRAME AND PANEL DOOR
- K - 3/4" SOLID DRAWER FRONT
- L - 5/8" DOVETAILED DRAWER/ 1/2" BOTTOM
- M - CORNER BRACE-ALL CORNERS



DELUXE GRADE STD. FACE FRAME UPPER

- A - 1/2" NAILER-PLYWOOD
- B - 1/2" PLYWOOD TOP
- C - 1/2" BACK - PLYWOOD
- D - 1/2" PLYWOOD END PANELS/ 3/4" ON FINISHED ENDS
- E - 1/2" PLYWOOD BOTTOM
- F - 3/4" ADJUSTABLE SHELF/ PLYWOOD BANDED ALL EDGES
- G - SALICE CONCEALED 120 DEGREE HINGES
- H - 5MM DRILLING 32MM SPACING SHELF HOLES
- I - FRAME AND PANEL DOOR